



**SPECIFICATIONS :**

- . Full bore
- . Anti-blow out stem
- . ISO 5211 mounting pad
- . Locking device
- . Anti-static device

**USE :**

- . For all common fluids
- . Max temperature Ts : 150°C see graph
- . Max pressure Ps : 16 bars see graph

**RANGE :**

- . Carbon steel flanged GN16 Ref. **762** DN15 to DN200
- . Stainless steel flanged GN16 Ref. **763** DN15 to DN200

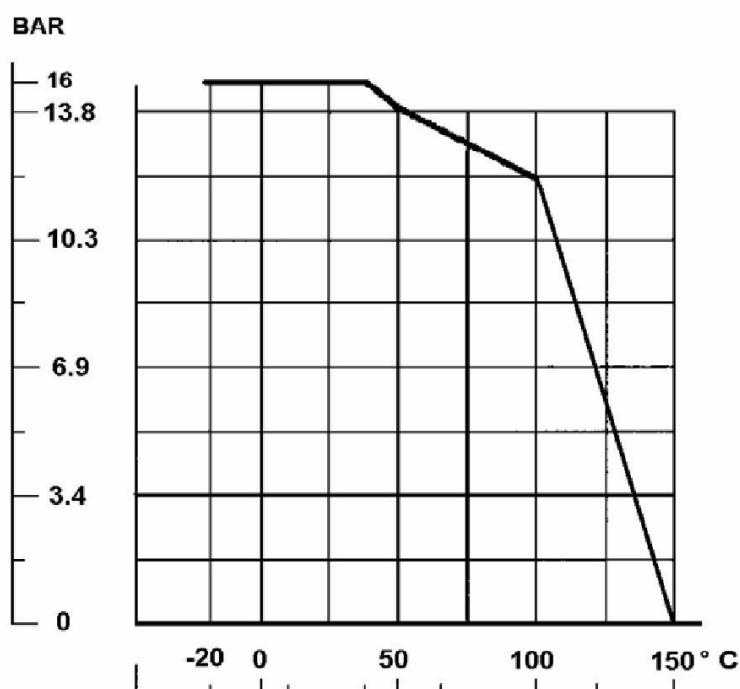
**MATERIALS :**

DESIGNATION	MATERIALS 762	MATERIALS 763
Body	A 216 WCB	A351 CF8M
End	A 216 WCB	A351 CF8M
Ball	A351 CF8	A351 CF8M
Stem	Stainless steel 316	Stainless steel 316
Seat	PTFE 15% glass	PTFE 15% glass
Packing	PTFE	PTFE
Gasket	PTFE	PTFE
Nut	Stainless steel 304	Stainless steel 304
Handle	Stainless steel 304	Stainless steel 304

**STANDARDS :**

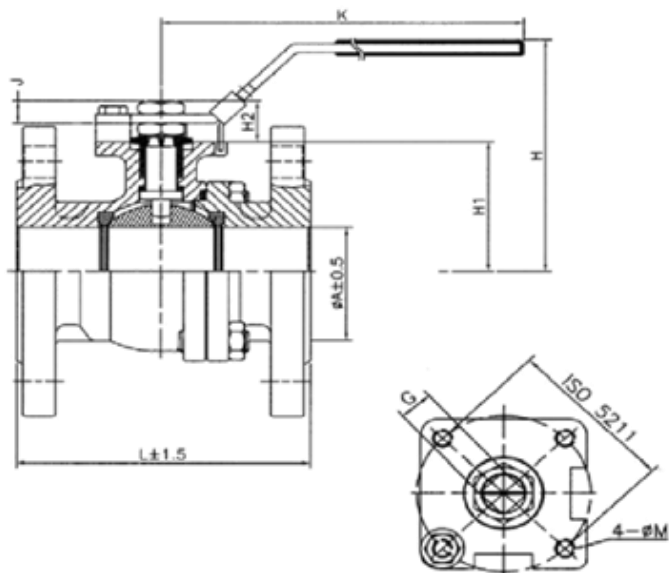
- . DIRECTIVE 97/23/CE : CE N° 0035
- Risk category II
- . Lenght according to DIN 3202 F4/F5
- . ATEX 94/9/EC ( Group II Category 2 )

**GRAPH PRESSURE / TEMPERATURE :**



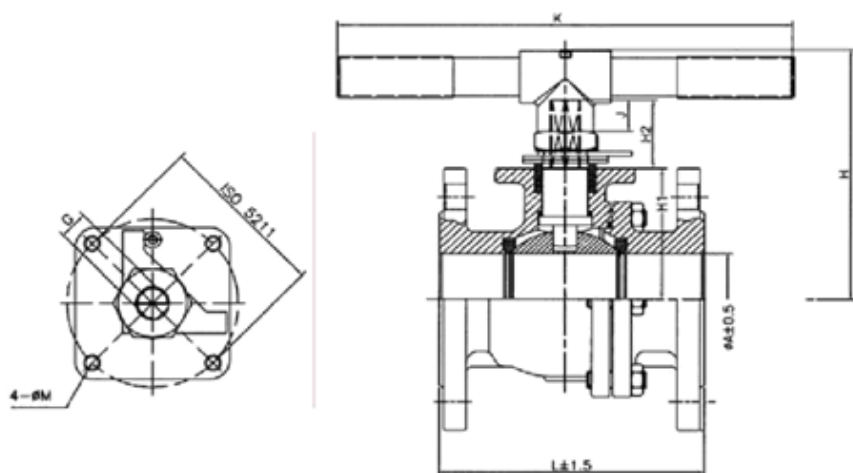
**SIZE (DN15 to DN50) :**

	DN	15	20	25	32	40	50
Ref. 762/763	L	115	120	125	130	140	150
	H	84	87,4	96	102	108	118
	H1	36,5	40	45,5	50,5	60,5	70,5
	H2	14,9	13,1	20,7	20,2	23,2	22,7
	J	8,5	8,5	12	12	12	12
	A	15	20	25	32	38	50
	G	9	9	11	11	14	14
	K	131	131	165	165	200	200
	ISO	F04	F04	F05	F05	F07	F07
	M	M5	M5	M6	M6	M8	M8
Weight	2,2	2,85	3,85	5,28	7,09	9,4	



**SIZE (DN65 to DN100) :**

	DN	65	80	100
Ref. 762/763	L	170	180	190
	H	177	186	201
	H1	92,5	102	119
	H2	49,5	49,5	47
	J	23	23	23
	A	64	76	100
	G	17	17	17
	K	300	300	400
	ISO	F10	F10	F10
	M	M10	M10	M10
Weight	13,8	17,4	23,5	



**SIZE (DN125 to DN200) :**

	DN	125	150	200
Ref. 762/763	L	325	350	400
	H	233	259	362
	H1	157	183	252
	H2	76,5	76,5	74
	J	45	45	43,4
	A	125	150	200
	G	27	27	36
	K	600	800	1016
	ISO	F12	F12	F14
	M	M12	M12	M16
Weight	47	65,4	136	

